



Technical Data

Empty container trucks

Kalmar DCE70-32E3 – 70-35E4, 3-4 high





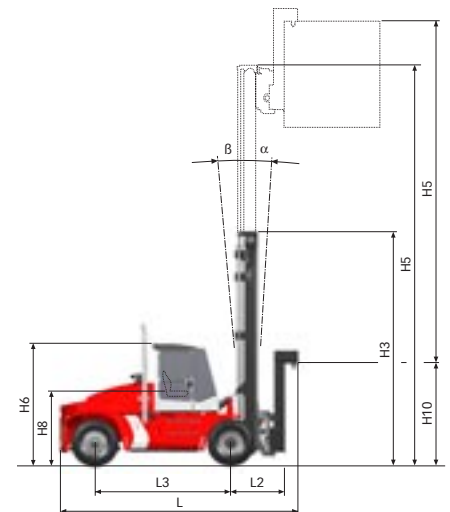
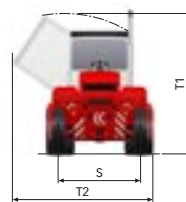
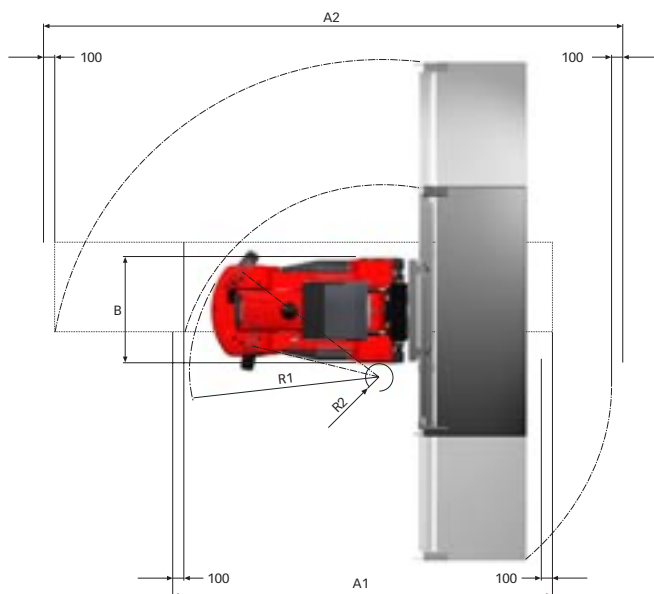
Dimensions

Dimensions				E3	E4	
Lifting	Lift capacity	Rated	kg	7000		
	Load Centre	L4	mm	1220		
Dimensions	Truck	Truck length without forks	L	mm	5595	5845
		Truck width	B	mm	2540	2900
	Height, basic machine, Spirit Delta	H6	mm	2920		
	Height, basic machine, FlexCab	H6	mm	3020		
	Seat height	H8	mm	1790		
	Distance between centre of front axle - front edge attachment	L2	mm	1265		
	Wheelbase	L3	mm	3250	3500	
	Track (c-c)	front	S	mm	1855	2210
		rear	S	mm	1960	
	Turning radius	outer	R1	mm	4360	4785
		inner	R2	mm	125	420
	Ground clearance, min			mm	350	
	Max height when tilting cab (FlexCab)	T1	mm	3395 (3475)		
	Max width when tilting cab (FlexCab)	T2	mm	3380 (3470)		
	Min, aisle width for 90° stacking with forks	20' container	A1	mm	8900	9200
40' container		A1	mm	13800	13900	
Standard duplex mast	Lifting height	H4	mm	7000	10000	
	Mast height	min	H3	mm	5195	7075
		max	H5	mm	8695	12075
	Mast tilting, forwards - backwards	$\alpha - \beta$	°	3-5		
Ground clearance, min.			mm	250		
Attachment	Width	b	mm	6064		
	Height under twistlock	H10	mm	2120		
	Sideshift \pm	V1	mm	140		
	Number of containers, 8'6" - 9'6"	V	mm	3-3	4-4	
Weight	Service weight		kg	22900	23900	
	Axle load front	Unloaded	kg	14700	15600	
		At rated load	kg	27100	27600	
	Axle load rear	Unloaded	kg	8200	8300	
At rated load		kg	2800	3300		
Wheels, brakes, steering	Wheels/tyres	Type, front-rear		Pneumatic		
	Dimensions, front-rear		inch	12,00x20/20PR		
	Number of wheels, front-rear (*driven)			4* - 2		
	Pressure		MPa	0,9		
	Steering system	Type - manoeuvring		Hydraulic servo - Steering wheel		
Service brake system	Type - affected wheels		Oil cooled disc brakes (Wet disc brakes - drive wheels)			
Parking brake system	Type - affected wheels		Dry, spring activated disc brake - drive wheels			
Misc.	Hydraulic pressure	Max	MPa	19,5	20,0	
	Hydraulic fluid volume		l	225		
	Fuel volume		l	200		
	Starting battery	Voltage - capacity	V-Ah	2x12 - 140		

Power trains

Power trains			
Components	Engine	Manufacturer - type designation	
		Fuel - type of engine	
		Rating ISO 3046 - at revs	kW/hp-rpm
		Peak torque ISO 3046 - at revs	Nm-rpm
		Number of cylinders - displacement	cm ³
		Fuel consumption, normal driving	l/h
Gearbox	Manufacturer - type designation		
	Clutch, type		
	Gearbox, type		
	Numbers of gears, forward - reverse		
Alternator	Type - power	W	
Driving axle	Type		

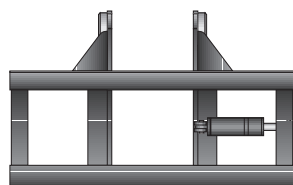
Performance power trains			
Performance	Lifting speed	Unloaded	m/s
		At rated load	m/s
	Lowering speed	Unloaded	m/s
		At rated load	m/s
	Travelling speed, f/r	Unloaded	km/h
		At rated load	km/h
Gradeability	Max	unloaded	%
		at rated load	%
	At 2 km/h	unloaded	%
		at rated load	%
Drawbar pull	Max	kN	
Noise	Noise level according to EN12053	LpAZ (ins.) Spirit Delta	dB(A)
		LpAZ (ins.) OHG FlexGuard	dB(A)
		LpAZ (ins.) OHG FlexCab	dB(A)
	Noise level according to 2000/14/EC	LWA (outside)	dB(A)



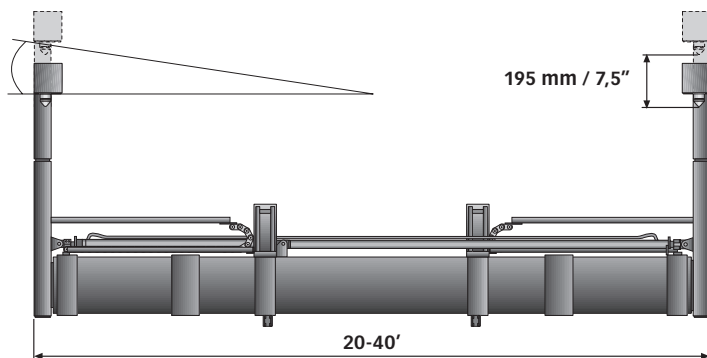
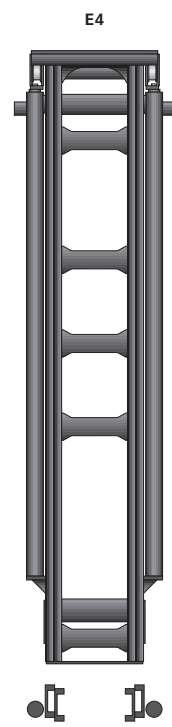
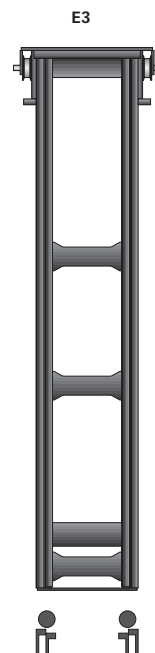
Volvo TAD620VE (145kW) + Dana HR28000	Volvo TAD620VE (145kW) + Dana TE13000	Volvo TAD720VE (174kW) + Dana HR32000	Volvo TAD720VE (174kW) + Dana TE17000	Cummins 6B5,9e (138kW) + Dana HR28000	Cummins 6B5,9e (138kW) + Dana TE13000
Volvo - TAD620VE (Turbo-Intercooler)	Volvo - TAD620VE (Turbo-Intercooler)	Volvo - TAD720VE (Turbo-Intercooler)	Volvo - TAD720VE (Turbo-Intercooler)	Cummins 6B5,9e	Cummins 6B5,9e
Diesel 4-stroke	Diesel 4-stroke	Diesel 4-stroke	Diesel 4-stroke	Diesel 4-stroke	Diesel 4-stroke
145/197 - 2300	145/197 - 2300	174/237 - 2300	174/237 - 2300	138/188 - 2200	138/188 - 2200
700 - 1500	700 - 1500	864 - 1400	864 - 1400	780 - 1400	780 - 1400
6 - 5702	6 - 5702	6 - 7145	6 - 7145	6 - 5900	6 - 5900
8-11	8-11	8-11	8-11	8-11	8-11
Dana - HR28000	Dana - TE13000	Dana - HR32000	Dana - TE17000	Dana - HR28000	Dana - TE13000
Torque converter	Torque converter	Torque converter	Torque converter	Torque converter	Torque converter
Hydro-dynamic Powershift	Hydro-dynamic Powershift	Hydro-dynamic Powershift	Hydro-dynamic Powershift	Hydro-dynamic Powershift	Hydro-dynamic Powershift
3 - 3	3 - 3	3 - 3	3 - 3	3 - 3	3 - 3
AC - 1540	AC - 1540	AC - 1540	AC - 1540	AC - 1540	AC - 1540
Kessler D81 - Differential and hub reduction	Kessler D81 - Differential and hub reduction	Kessler D81 - Differential and hub reduction	Kessler D81 - Differential and hub reduction	Kessler D81 - Differential and hub reduction	Kessler D81 - Differential and hub reduction

Volvo TAD620VE (145kW) + Dana HR28000		Volvo TAD620VE (145kW) + Dana TE13000		Volvo TAD720VE (174kW) + Dana HR32000		Volvo TAD720VE (174kW) + Dana TE17000		Cummins 6B5,9e (138kW) + Dana HR28000		Cummins 6B5,9e (138kW) + Dana TE13000	
E3	E4	E3	E4	E3	E4	E3	E4	E3	E4	E3	E4
0,50	0,60	0,50	0,60	0,50	0,60	0,50	0,60	0,50	0,60	0,50	0,60
0,45	0,55	0,45	0,55	0,45	0,55	0,45	0,55	0,45	0,55	0,45	0,55
0,40	0,40	0,40	0,40	0,40	0,40	0,40	0,40	0,40	0,40	0,40	0,40
0,40	0,40	0,40	0,40	0,40	0,40	0,40	0,40	0,40	0,40	0,40	0,40
30	30	30	30	30	30	30	30	30	30	30	30
30	30	30	30	30	30	30	30	30	30	30	30
48	46	48	46	71	66	71	66	50	47	50	47
35	33	35	33	49	47	49	47	36	34	36	34
35	33	35	33	49	46	49	46	36	34	36	34
26	25	26	25	35	34	35	34	26	25	26	25
103	103	103	103	135	135	135	135	105	105	105	105
73	73	73	73	73	73	73	73	73	73	73	73
85	85	85	85	85	85	85	85	85	85	85	85
78	78	78	78	78	78	78	78	78	78	78	78
108	108	108	108	108	108	108	108	110	110	110	110

Attachment



DCE 70E3-E4, carriage for hook mounted attachment, side-shift ±140 mm.



Attachment with twist-locks, length adjustment 20-40'
Attachment with hook connection, side-shift ±140 mm.
Mechanical levelling on each side.

Kalmar global partner

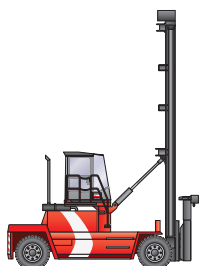
Local presence, globally

Kalmar is a global supplier of heavy materials handling equipment and services for ports, terminals, industry and intermodal handling.

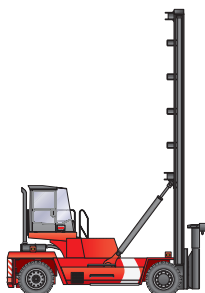
Local presence means that we can support our customers throughout the product's life cycle, wherever they are.



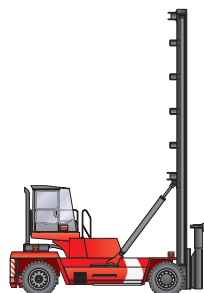
Other Kalmar empty container trucks



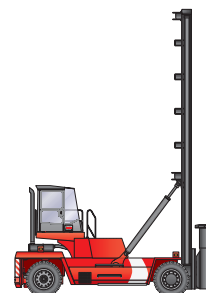
DCD70-40E5



DCE70-40E6



DCE80-45E7



DCE80-45E8

www.kalmarind.com



Kalmar Industries AB SE-341 81 Ljungby, Sweden, tel. +46 372 260 00, fax +46 372 263 90. **Kalmar Industries Sverige** Torggatan 3 SE-340 10 Lidhult, tel. +46 372 260 10, fax +46 372 659 77. **Kalmar Industries Oy AB** p.o box 387 FI-33101 Tampere, tel. +358 3 265 81111, fax +358 3 265 8201. **Kalmar Pacific Limited Rm** 1501-04, prosperity centre, 77-81 Container port road, Kwai chung, n.t. Hongkong, tel. +852 2944 8383, fax + 852 2944 9966. **Kalmar Industries USA Inc.** 415 East Dundee street, Ottawa, Kansas 66067, tel. +1 785 242 2200, fax +1 785 242 6117

